

# Gas Phase Titration Calibrators

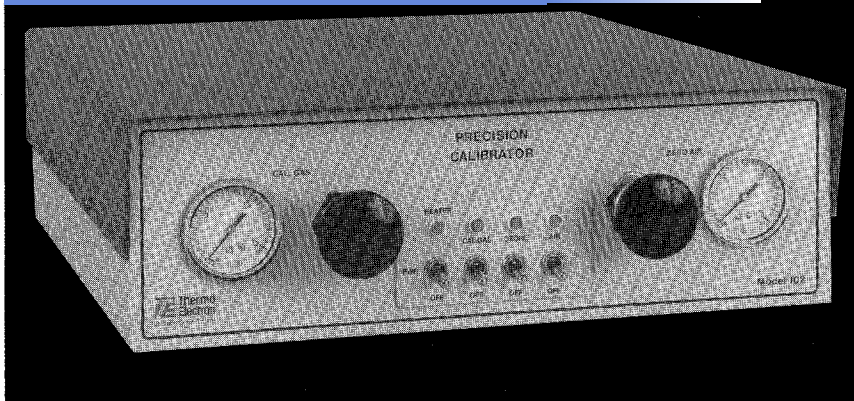
## Model 102 Gas Phase Titration Calibrator

Thermo Environmental's Model 102N utilize zero and span check, the EPA approved method of gas phase titration for the precise generation of NO<sub>2</sub> and NO span gas for calibrating ambient NO-NO<sub>2</sub>-NO<sub>x</sub> Analyzers.

The Model 102N generates a precise, controlled amount of ozone in an ultra-violet ozonator for the subsequent gas phase titration of nitric oxide with ozone. The 102N features a fixed dilution of a high concentration cylinder of NO/N<sub>2</sub> calibration gas to a lower level for the zero and span check of ambient NO<sub>x</sub> Analyzers.

### DOCK NORTE S.A.

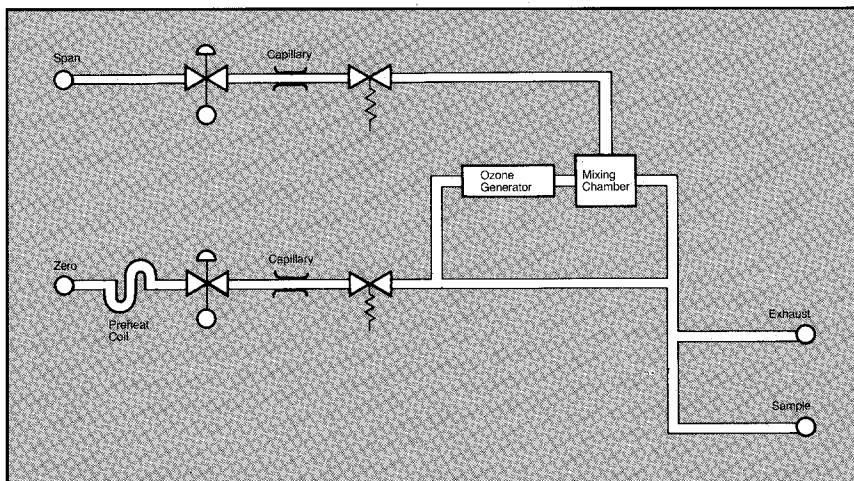
Equipamiento y Servicios de Monitoreo Ambiental  
Cochabamba477. BuenosAires(1150). Argentina  
Tel:54.11.4307.8363/4361.5807www.docknorte.com



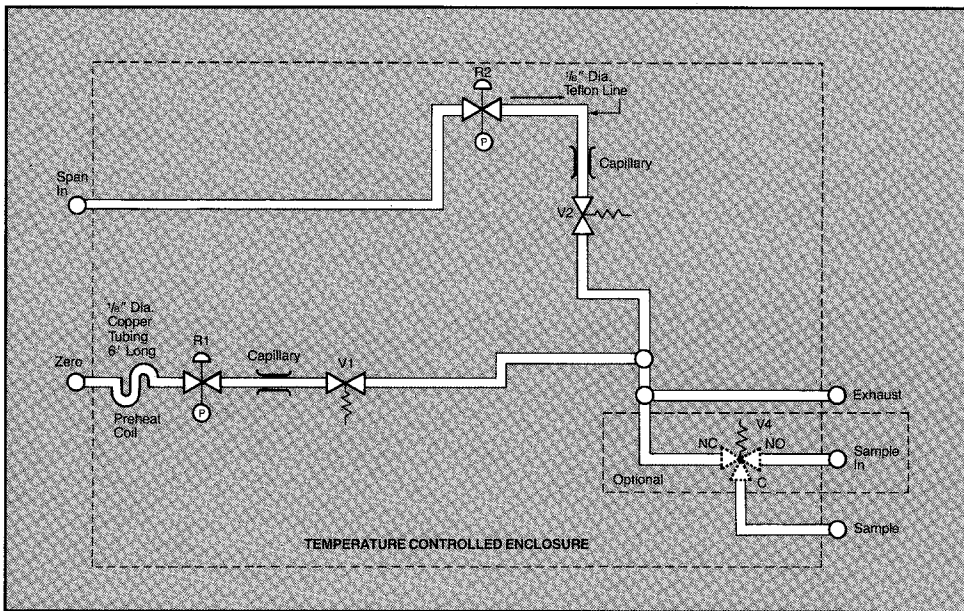
### Model 102 Specifications

Dilution Ratio	Fixed (standard range: 100:1 to 500:1)
Flow Rate	~2ℓ/min
Operating Temperature	Controlled to 40 ±2°C
Ambient Temperature Range	10-35°C
Dimensions	5.3" high X 16.7" wide X 16.5" deep
Weight	15 lbs.
Power Requirements	250 watts; 115V AC/60 Hz; 220V AC/50 Hz
Required Peripherals	Cylinder of NO/N <sub>2</sub> Calibration Gas; Zero Air Supply*

\*Thermo Environmental Instruments offers a Model 111 Zero Air Supply

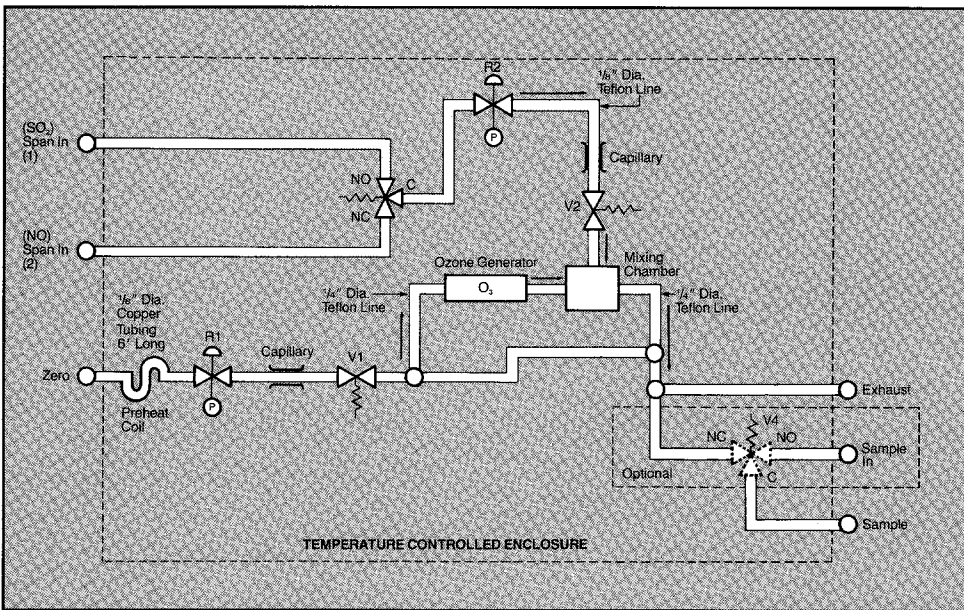


**Model 102N Flow Scheme**



**Model 102S:** Same as Model 102N, but supplied without ozonator. Designed for span check of other ambient air monitors.

**Model 102S Flow Scheme**



**Model 102NS:** Same as Model 102N, but incorporates a special Teflon valve matrix to accommodate external cylinders of NO and a second gas so that calibration of both NO<sub>x</sub> and other analyzers can be alternately performed with a single unit.

**Model 102NS Flow Scheme**

**Option 002:** Rack Mounts

**Thermo Environmental  
Instruments Inc.**

8 West Forge Pky., Franklin, MA 02038 USA  
TEL: 508-520-0430 Fax: 508-520-1460